

INNOKIN

PRISM
T20 S



EZ.WATT

QUICK START GUIDE



Push to Fire.
3 Clicks On/Off

Battery Life Indicator



FULL HALF LOW

Wattage Select

Hold Select "0" then
Power "⏻" to Cycle
Wattage Level.

Push Select "0" to
Choose Low or High.

30 35

16 18

13 14

Low / High
Wattage LED

Low / High



Micro USB

FLIP FOR MORE INFO

REFILL THE TANK

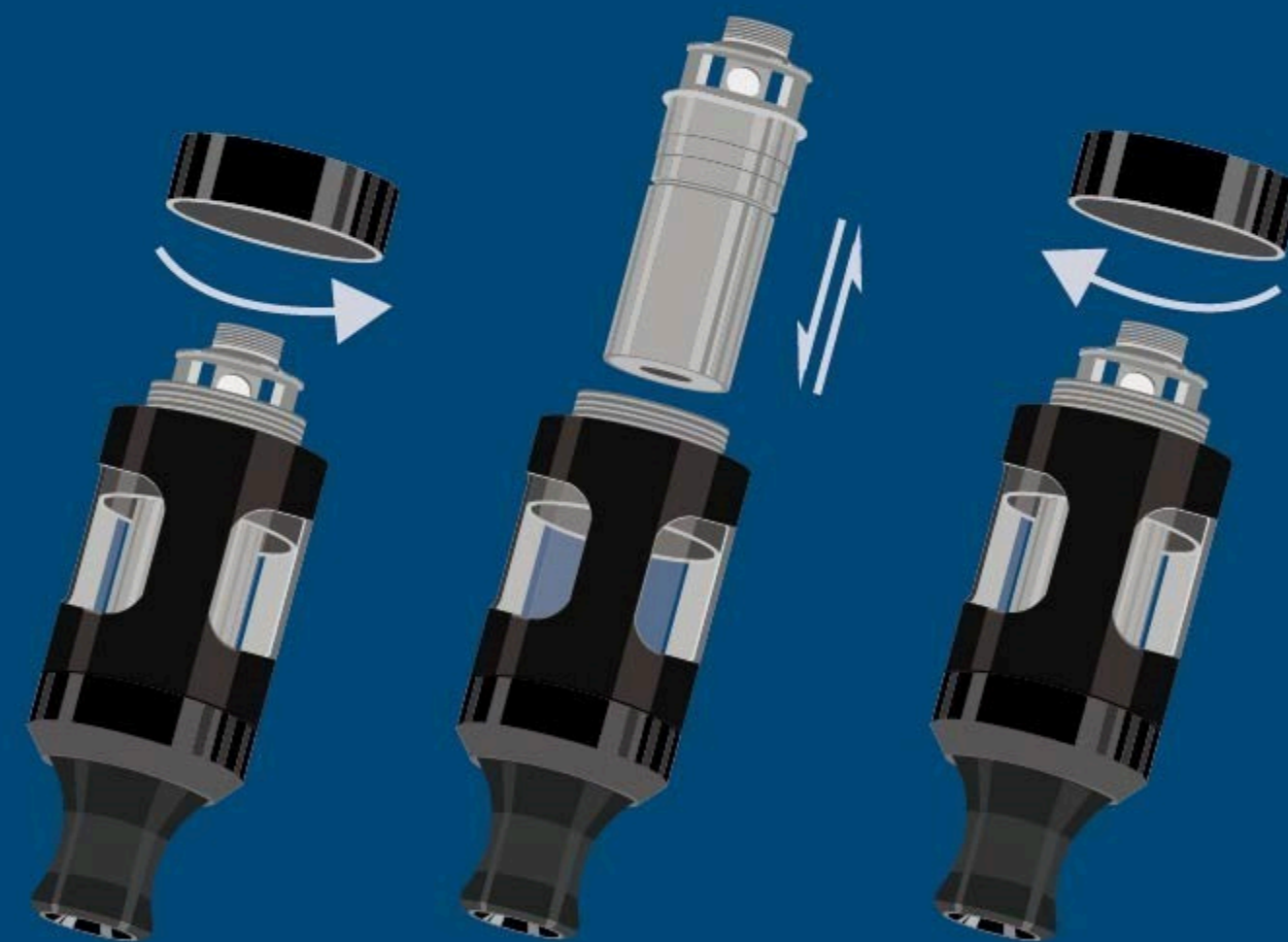


- 1) Unscrew the Top Cap.
 - 2) Fill Against Side of Tank.
- ★ Wait 5 Minutes before Vaping.

CAUTION:

- Do not vape if low on eliquid.
- Stop if there is a burnt taste.
- Replace the coil if there is reduced flavor or vapor.

REPLACE THE COIL



CAUTION:

- Empty the tank completely before replacing the coil.
- Line up the coil correctly before inserting.



Please refer to the User Manual for full operating instructions at
WWW.INNOKIN.COM